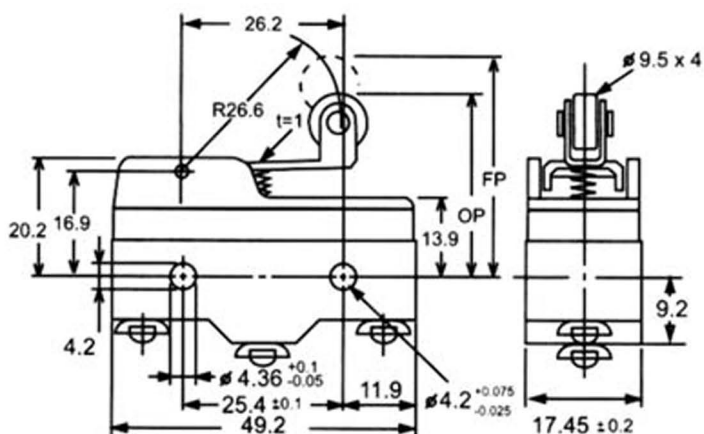


Z-15GW22



Features :

General Standard

Specifications:

Operating Frequency: 0.01mm- 1m/sec

Rated Voltage/Current: 15/600VAC(UL file 240199)

Service Life: Mechanically 1×10⁷ (operations)
Electrically 5×10⁵ (operations)

Operating Temperature: about -25~+80 (-4~+176)

Humidity: <95%RH

Degree of protection: IP00/IP63

Dielectric Strength:

1000VAC for 1 min between current carrying parts
2500VAC for 1 min between non-current carrying parts

Z-15GW22

Operating Characteristics

● OF _{max}	1.57N	● OT _{min}	2.4
● RF _{min}	0.41N	● MD _{max}	0.8mm
● PT _{max}	2.7mm	● FP _{max}	32.5mm
		● OP	30.2±0.4mm